

Technical data sheet

Product features



Cooking range drop-in electric 4x drop-in plate 400 V

Model	SAP Code	00007441
--------------	-----------------	----------



- Device type: Electric unit
- Power consumption of the zone 1 [kW]: 2,6
- Power consumption of the zone 2 [kW]: 2,6
- Power consumption of the zone 3 [kW]: 2,6
- Power consumption of the zone 4 [kW]: 2,6
- Protection of controls: IPX5
- Material: Stainless steel

SAP Code	00007441	Number of zones	4
Net Width [mm]	800	Power consumption of the zone 1 [kW]	2,6
Net Depth [mm]	600	Power consumption of the zone 2 [kW]	2,6
Net Height [mm]	50	Power consumption of the zone 3 [kW]	2,6
Net Weight [kg]	33.00	Power consumption of the zone 4 [kW]	2,6
Power electric [kW]	10.400	Diameter of device [mm]	220
Loading	400 V / 3N - 50 Hz		

Technical data sheet

Technical drawing

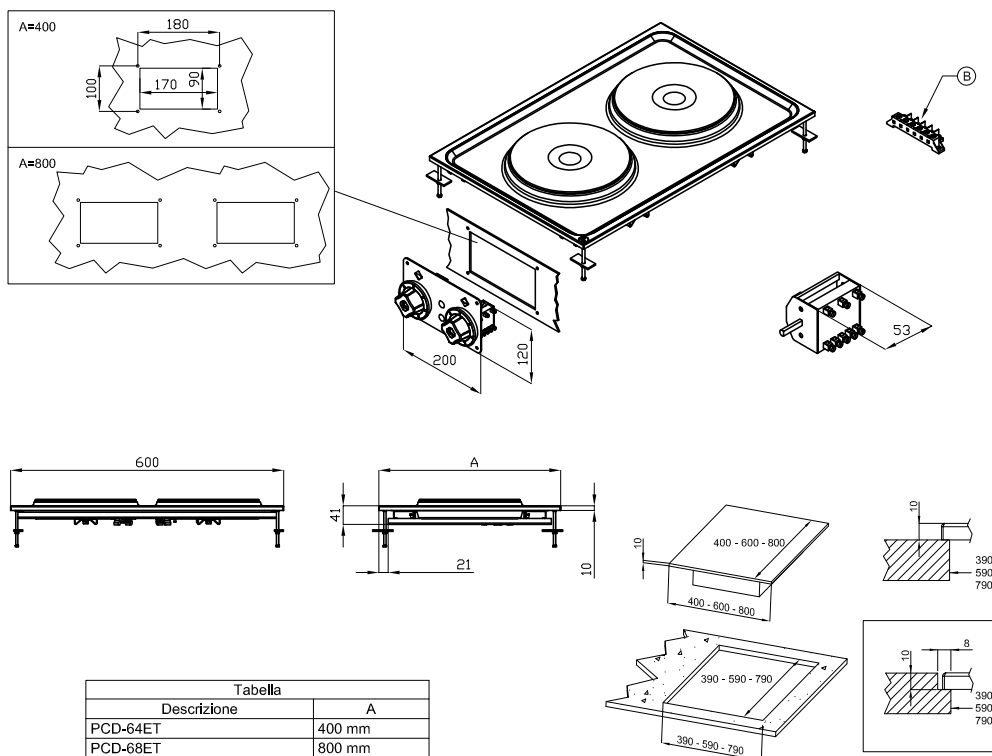


Cooking range drop-in electric 4x drop-in plate 400 V

Model

SAP Code

00007441



A	Data plate		B	Electrical connection	
---	------------	--	---	-----------------------	--

Technical data sheet

Product benefits



Cooking range drop-in electric 4x drop-in plate 400 V

Model

SAP Code

00007441

1

Round plates

quick warm-up
efficient cooking on a round surface with easy
adhesion to dishes

- time-saving in food preparation
- easy to use thanks to the large surface area of the
cooking plates

2

Internal thermostatic plate protection

longer service life of the plates

- no overheating of the plates and no cracking

3

Degree of protection of the control elements IPX5

maintenance-free system
resistance to splash water
long life

- savings on service interventions
- easy cleaning and maintenance of equipment

4

All-stainless design

the material does not cut
wear resistance of the material
long life

- savings on service interventions
- easy cleaning and maintenance of equipment

5

Hygienic moldings of the top plate

absence of sharp corners and edges (potential places
where dirt could stick)
smooth transitions

- easy quick cleaning

6

Variability

the possibility of attaching to a fixed plate as part
of a monoblock
the possibility of creating one module
long life

- cost saving
- space saving
- long service life

Technical data sheet

Technical parameters



Cooking range drop-in electric 4x drop-in plate 400 V

Model

SAP Code

00007441

1. SAP Code:

00007441

2. Net Width [mm]:

800

3. Net Depth [mm]:

600

4. Net Height [mm]:

50

5. Net Weight [kg]:

33.00

6. Gross Width [mm]:

1080

7. Gross depth [mm]:

630

8. Gross Height [mm]:

470

9. Gross Weight [kg]:

38.00

10. Device type:

Electric unit

11. Construction type of device:

Drop-in

12. Power electric [kW]:

10.400

13. Loading:

400 V / 3N - 50 Hz

27. Service accessibility:

From the front by removing the front panel and waste fluid containers

14. Protection of controls:

IPX5

15. Material:

Stainless steel

16. Worktop type:

Molded - comfortable cleaning maintenance

17. Worktop material:

AISI 304

18. Worktop Thickness [mm]:

2.00

19. Number of zones:

4

20. Power consumption of the zone 1 [kW]:

2,6

21. Power consumption of the zone 2 [kW]:

2,6

22. Power consumption of the zone 3 [kW]:

2,6

23. Power consumption of the zone 4 [kW]:

2,6

24. Maximum device temperature [°C]:

300

25. Minimum device temperature [°C]:

50

26. Number of power control stages:

6

31. Diameter of device [mm]:

220

Technical data sheet

Technical parameters



Cooking range drop-in electric 4x drop-in plate 400 V

Model	SAP Code	00007441
-------	----------	----------

28. Safety element:

internal thermostatic protection of the hotplate against overheating

32. Type of electric cooking zones:

Oval

29. Safety thermostat:

Yes

33. Cross-section of conductors CU [mm²]:

2,5

- Výkon (kW): 11-17 (230 V); 19-30 (400 V)

30. Number of burners/hot plates:

4